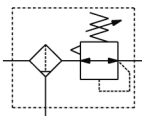


## AW10-40-A, AW Filter/Regulator Combination AW20-N02G-A

### Datasheet

This combination Filter/ Regulator minimizes space and piping by integrating the 2 units into one. Standard features include a relieving regulator, which can be quickly locked by pushing down on the adjustment knob. There are many options, which include gauges, auto-drain, metal bowl and covers, different set pressures, etc. The AW-A is part of the family of modular air preparation units and can be combined with other similar sized products. This series is available in 3 body sizes with piping from 1/8 to 3/4 in Rc, NPT or G thread types.



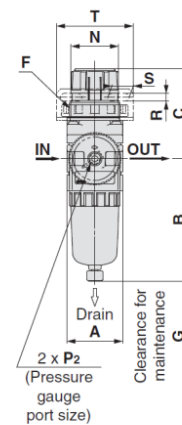
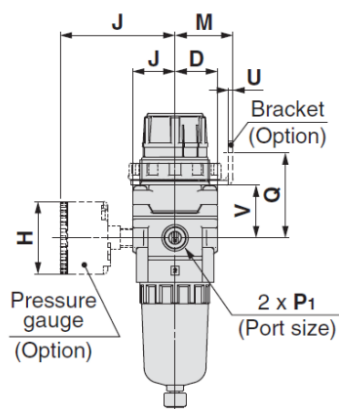
Filter / Regulator Combination

### Standard specifications

Size	20
Thread	N (NPT)
Port Size	02 (1/4)
Accessory	G (Round type pressure gauge [with limit indicator])
Set pressure	0.05 to 0.7 MPa setting
Bowl	Polycarbonate Bowl
Drain port/Exhaust mechanism/Flow direction	None
Pressure Unit	Name Plate and Pressure Gauge: MPa
Made to Order	None
Pressure medium	Air
Maximum temperature of pressure medium	60 °C
Minimum temperature of pressure medium	-5 °C [with no freezing]
Maximum operating pressure	1.0 MPa
Proof pressure	1.5 MPa
Maximum ambient temperature	60 °C
Minimum ambient temperature	-5 °C [with no freezing]
Conform to the European RoHS Directive	Conform
Approvals	No need
Bowl Material	Polycarbonate

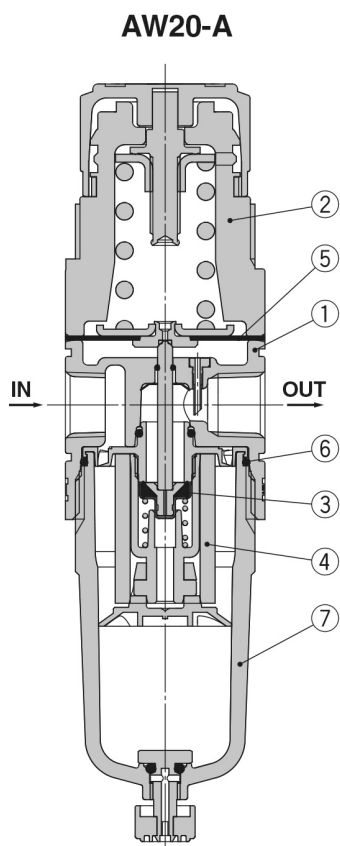
Bowl Guard	Semi-standard (Steel)
Drain Capacity	8 cm <sup>3</sup>
Element nominal filtration rating	5 μm
Weight	0.240 Kg

## Dimensions



## Constructions

### Construction



#### Component Parts

No.	Description	Material	Model	Colour
1	Body	Zinc die-cast	AW10-A	White
		Aluminum die-cast	AW20-A to AW40-06-A	
2	Bonnet	Polyacetal	AW10-A to AW40-06-A	White

#### Replacement Parts

No.	Description	Material	Part no.
			<b>AW20-A</b>
3	Valve assembly	Stainless steel, HNBR	AW22P-060AS
4	Filter element	Non-woven fabric	AF20P-060S
5	Diaphragm assembly	Weatherable NBR	AR22P-150AS
6	Bowl seal	NBR	C2SFP-260S
7	Bowl assembly <sup>Note 2)</sup>	Polycarbonate	C2SF-A

Note 1) The AW10-A is a piston type. Assembly of a piston and a seal (KSYP-13).

Note 2) Bowl seal is included for the AW20-A to AW40-06-A. Please contact SMC regarding the supply of bowl assembly with psi and °F unit display specifications.

## Additional information

Catalogue	<a href="#">AC-A-D_EU.pdf</a>
Installation manuals	<a href="#">im_aw_smv11en.pdf</a>
Operation manuals	<a href="#">om_aw-a_omq0007en-a.pdf</a>