

PRODUCT DATA SHEET

Engelsberg Type BAFR 435 - Y-type check valve



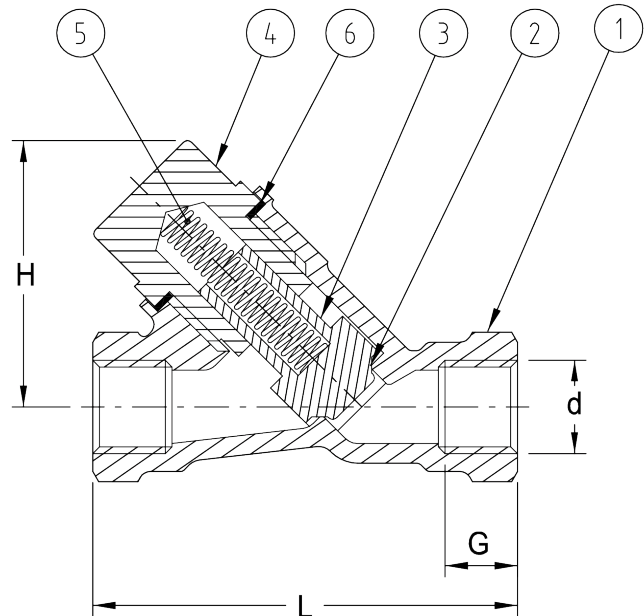
Ramén Valves

We know the flow



Engelsberg check valve type BAFR 435 is designed for quick shut-off with minimal differential pressure to prevent backflow of gases or liquids. Robust soft or metal to metal seat offers the highest possible leakage class and minimum maintenance. Engelsberg BAFR 435 check valve is available in Stainless Steel EN 1.4408 body in order to provide the best corrosion resistance and the longest lifetime. BSPF threaded connections is standard for easy mounting in DN8 to DN25 (1/4" to 1").

Technical information	
Design	Y-Type Spring Loaded
Connection	Female: Threaded
Nominal sizes	DN8-DN25 (1/4"-1")
Material	EN 1.4408 (Stainless steel)
Nominal pressure	PN100
Leakage class	Rate A acc. to EN12266-1
Temperature range	-50°C to 200°C
Options	
Seat	Soft seated
Connection	Buttweld



Parts and material of construction			
Pos.	No.	Part	Material
1+2	1	Body with integrated seat	EN 1.4408 (Stainless steel)
3	1	Disc	EN 1.4404 (Stainless steel) PTFE
4	1	Cap	EN 1.4404 (Stainless steel)
5	1	Spring	
6	1	Seal	PTFE or Copper ⁽¹⁾

⁽¹⁾High temperature (above 200°C) option

Engelsberg Y-type check valve

Dimensions								
Size DN	PN	d (inch)	G	L	H	Kv ⁽¹⁾ [m³/h]	Cv ⁽¹⁾ [gpm]	Weight [kg]
8	100	1/4	13	75	45	3	9	0,3
10		3/8	14	75	45	3	9	0,3
15		1/2	18	75	45	3	9	0,3
20		3/4	19	90	60	16	19	0,9
25		1	23	100	60	16	19	0,9

⁽¹⁾ For water: $\Delta P = (Q/Kv)^2$, with ΔP in bar and Q in m³/h. $Cv = Kv \cdot 1,16$

Ordering code type 435 - Y-type check valve

Code example EB435-1228-020

EB	Valve serie (3-5)	Material body/disc (6-7)		End connection (8-9)	Size (10-12)
EB	435	12	EN 1.4408 / EN 1.4404	28 Female BSP thread	008
		x-12	EN 1.4408 / PTFE		010
					015
					020
					025



Address: Fredsforsstigen 22A, SE-168 67 Bromma, Sweden
Office: +46 8 598 931 00 | www.ramenvalves.com