

PRODUCT DATA SHEET

Engelsberg Type BAS 102 - Standard swing check valve



Ramén Valves

We know the flow

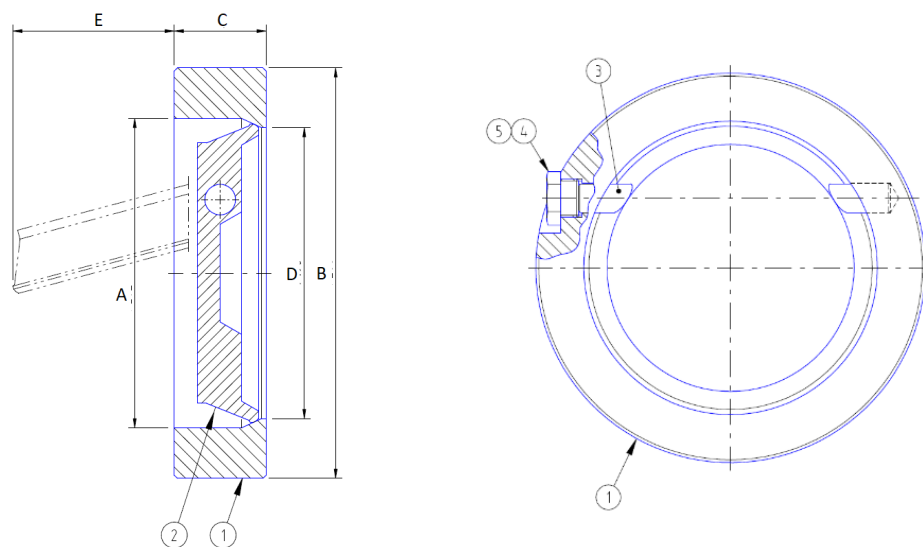


Engelsberg BAS check valve type 102 for liquid and gas flow. Designed for quick shut-off to prevent backflow and open at the smallest flowrates to maintain stable process conditions. Robust metal to metal design to withstand high temperature and harsh conditions still offering the highest possible leakage class and minimum maintenance. Engelsberg BAS check valves are available in all commonly used steel alloys and titanium for industrial applications. The correct material is selected based on the application and media, in order to provide the best corrosion resistance and the longest lifetime. Wafer type design for easy mounting between flanges in DN15 to DN250.

Technical information	
Design	Metal seated
Connection	Wafer, DIN PN10 - PN100 and ANSI 150 - 600
Nominal sizes	DN15-DN250 (1/2"-10")
Material	EN 1.4408 (Stainless steel)
Nominal pressure	PN100 up to DN100 (ANSI class 150/300)
Leakage class	Rate A acc. to EN12266-1
Temperature range	-50°C to 350°C (Duplex max 250°C)
Approvals	CE-marked acc. to PED 2014/68/EU, Category II, Module D1 ⁽¹⁾
Options	Material body
	Titanium Gr. 2 Hastelloy C- 276 904L (EN 1.4539) 254 SMO (EN 1.4547) Duplex (EN 1.4470) Super Duplex (EN 1.4410)

⁽¹⁾ Higher on request

Type 102 - Standard swing check valve



Parts and material of construction			
No.	Part	Material	
1	Body	EN 1.4408 (Stainless steel)	
2	Disc		
3	Shaft		
4	Plug		
5	Plug seal	PTFE or Copper ⁽¹⁾	

⁽¹⁾Q = High temperature (above 200°C) option

Dimensions									
Size DN	PN	A [mm]	B [mm]	C [mm]	D [mm]	E [mm]	Kv ⁽¹⁾ [m ³ /h]	Cv ⁽¹⁾ [gpm]	Weight ⁽²⁾ [kg]
15 (1/2")	100	28	50	30	16	1	6	7	0,4
20 (3/4")		28	54	30	20	1	10	12	0,5
25 (1")		28	64	30	24	1	16	19	0,7
32 (1 1/4")		28	73	30	24	1	26	30	0,9
40 (1 1/2")		42	86	40	36	10	40	46	1,8
50 (2")		52	102	43	46	18	63	73	2,0
65 (2 1/2")		67	122	46	62	27	107	124	3,0
80 (3")		80	138	46	72	36	152	176	4,0
100 (4")	40	102	158	52	89	44	246	285	9,1
150 (6")		152	212	56	138	83	1250	1450	11,3
200 (8")		202	268	60	190	106	2300	2670	12,8
250 (10")		245	320	68	228	138	3500	4060	14,1

⁽¹⁾For water: $\Delta P = (Q/Kv)^2$, with ΔP in bar and Q in m³/h. Cv = Kv*1,16

⁽²⁾ Standard material

Ordering code type 102 - Standard swing check valve

Code example EB102-1248-040

EB102-1348-050-X10

EB	Valve series (3-5)	Body & disc material (6-7)		End connection (8-9)		Size (10-12)	Options (13-14)	
EB	102	12	316L (EN 1.4404)	48	Wafer	015	10	Cu plug seal for high temperature
		13	Titanium Gr. 2			020		
		16	254 SMO (EN 1.4547)			025		
		17	904L (EN 1.4539)			032		
		19	Duplex (EN 1.4462)			040		
		20	Super Duplex (EN 1.4410)			050		
						065		
						080		
						100		
						150		
						200		
			250					



Address: Fredsforsstigen 22A, SE-168 67 Bromma, Sweden

Office: +46 8 598 931 00 | www.ramenvaives.com