

Safety Valves

Type 06012, Type 06016



Cryogenic Safety Valves, angle type, stainless steel, PN63, type tested TÜV-SV.1048. S/G

Standard safety valve, with carbon filled PTFE valve seal, open bonnet

Outlet: female thread Rc 3/8 acc. to ISO 7/1, "cleaned and degreased for oxygen service"

Type 06012: Closed bonnet drainage hole in the locking screw

Type 06016: drainage hole in the bonnet

Part No. 06012.X.0000:

Part No. 06016.X.0000 (with lifting device)

Inlet: male thread type R (BSPT) acc. to ISO 7/1

Part No. 06012.X.2000

Part No. 06016.X.2000 (with lifting device)

Inlet: male thread type G (BSPP) acc. to ISO 228/1

Part No. 06012.X.5000

Part No. 06016.X.5000 (with lifting device)

Inlet: male thread NPT acc. to ANSI B 1.20.1

Available options - on request only:

- with installed elbow at the outlet



Applications:

Provided as safety device for protection against thermal expansion in pipeworks and parts of facilities.

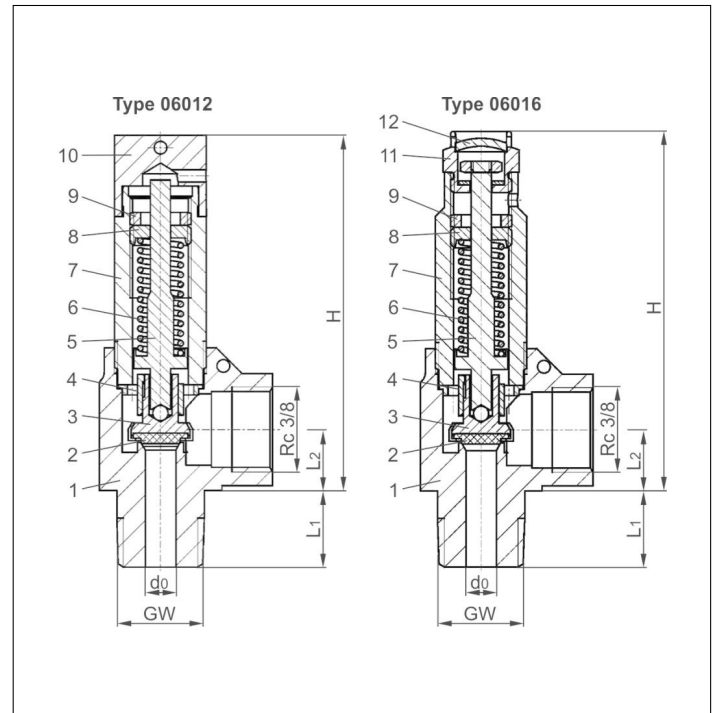
Approved for air gases, vapours and cryogenic liquefied gases incl. LNG.

Working temperature: -196°C / -321°F (77K) up to +150°C / +302°F (423K), suitable for horizontal installation

Materials	DIN EN	ASME/ASTM
1 Body	1.4408	A 351 CF8M
2 Valve seal	PTFE / Carbon filled (25%)	
3 Disc	1.4301	A 276 Grade 304
4 Guide plate	1.4301	A 276 Grade 304
5 Stem	1.4301	A 276 Grade 304
6 Spring	1.4571	A 313 Grade 316Ti
7 Bonnet	1.4301	A 276 Grade 304
8 Spring clamp	1.4305	A 276 Grade 303
9 Thread ring	1.4305	A 276 Grade 303
10 Cap	1.4301	A 276 Grade 304
11 Lifting device	1.4305	A 276 Grade 303
12 Closing cap	1.4305	A 276 Grade 303

Essential: Valves are delivered at a set pressure, therefore when ordering please confirm set pressure, medium and temperature.

Standard marking acc. to Pressure Equipment Directive 2014/68/EU (PED).



Technical data	Type 06012			Type 06016			
	GW	1/4	3/8	1/2	1/4	3/8	1/2
Nominal size	GW	1/4	3/8	1/2	1/4	3/8	1/2
Orifice	d ₀	6.0	6.0	6.0	6.0	6.0	6.0
Dimension code	.X.	0200	0300	0400	0200	0300	0400
Set pressure range	bar	1.0-55.0	1.0-55.0	1.0-55.0	1.0-55.0	1.0-55.0	1.0-55.0
Height	H	70	70	70	72	72	72
Length	L ₁	13	15	17	13	15	17
Length	L ₂	13	13	13	13	13	13
Weight	ca. kg	0.185	0.20	0.22	0.18	0.195	0.21
Coeff. of discharge from 3.0 bar	α _w	0.42	0.42	0.42	0.42	0.42	0.42

Dimensions in mm.

Safety Valves

Type 06012, Type 06016



Discharge capacities

Calculation of flow rate acc. to AD2000-Merkblatt A2 / DIN EN ISO 4126-1

Medium:

Air in m³/h at 0°C and 1013.25 mbar

The capacity indicated below is for a fully opened valve.

d₀ - orifice

A₀ - flow area

Set pressure in bar (g)	GW	1/4. 3/8 & 1/2
	d ₀ (mm)	6.0
	A ₀ (mm ²)	28.3
	Medium	Air
1.0		15.5
2.0		26.0
3.0		35.0
4.0		43.9
5.0		52.9
6.0		61.8
7.0		70.8
8.0		80.0
9.0		88.9
10.0		98.1
12.0		116.1
14.0		134.0
16.0		152.0
18.0		169.9
20.0		189.7
22.0		207.8
24.0		226.0
26.0		244.1
28.0		262.2
30.0		283.0
32.0		301.3
34.0		319.6
36.0		337.9
38.0		356.2
40.0		377.8
42.0		396.2
44.0		414.7
46.0		433.2
48.0		451.6
50.0		474.1
52.0		492.7
54.0		511.3
55.0		520.6