

# Safety Valves

## Type 06011 - gastight



**Cryogenic Safety Valves, angle type, stainless steel, PN63, type tested TÜV-SV.1048. S/G/L**

Standard safety valve,  
complete with carbon filled PTFE valve seal, closed bonnet, gastight  
Outlet: female thread Rc 3/8 acc. to ISO 7/1  
"cleaned and degreased for oxygen service"

**Part No. 06011.X.0000**

Inlet: male thread type R (BSPT) acc. to ISO 7/1

**Part No. 06011.X.2000**

Inlet: male thread type G (BSPP) acc. to ISO 228/1

**Part No. 06011.X.5000**

Inlet: male thread NPT acc. to ANSI B 1.20.1

Available options - on request only:

- with installed elbow at the outlet



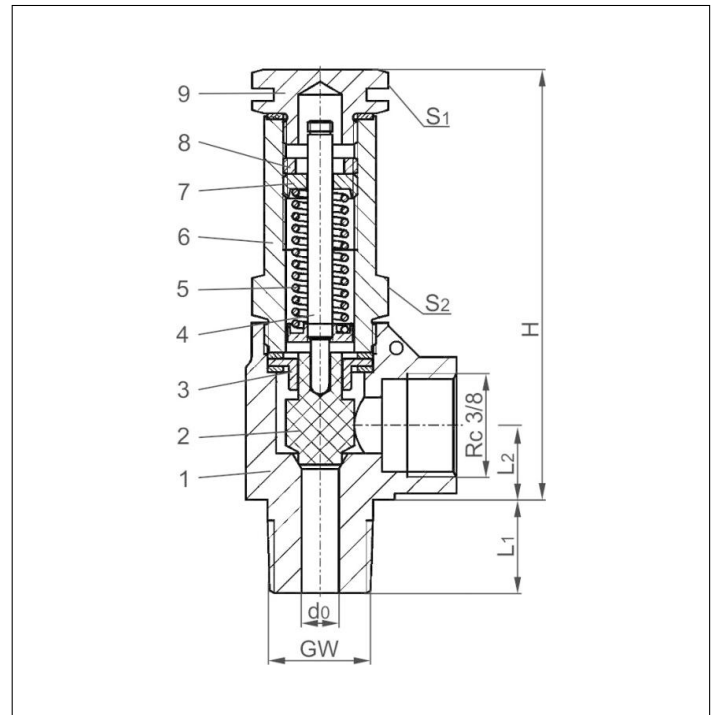
**Applications:**

Provided as safety device for protection against thermal expansion in pipeworks and parts of facilities.  
Approved for air gases, vapours and cryogenic liquefied gases incl. LNG.  
Working temperature: -196°C / -321°F (77K) up to +65°C / +149°F (338K), suitable for horizontal installation

Materials	DIN EN	ASME/ASTM
1 Body	1.4408	A 351 CF8M
2 Disc	PTFE / Carbon filled (25%)	
3 Guide plate	1.4301	A 276 Grade 304
4 Stem	1.4301	A 276 Grade 304
5 Spring	1.4571	A 313 Grade 316Ti
6 Bonnet	1.4301	A 276 Grade 304
7 Spring clamp	1.4305	A 276 Grade 303
8 Thread ring	1.4305	A 276 Grade 303
9 Cap	1.4301	A 276 Grade 304

**Essential:** Valves are delivered at a set pressure, therefore when ordering please confirm set pressure, medium and temperature.

Standard marking acc. to Pressure Equipment Directive 2014/68/EU (PED).



Type 06011	Technical data			
Nominal size	GW	1/4	3/8	1/2
Orifice	d <sub>0</sub>	6.0	6.0	6.0
Dimension code	.X.	0200	0300	0400
Set pressure range	bar	5.0-55.0	5.0-55.0	5.0-55.0
Height	H	70	70	70
Length	L <sub>1</sub>	13	15	17
Length	L <sub>2</sub>	13	13	13
Wrench size across flats	S <sub>1</sub>	19	19	19
Wrench size across flats	S <sub>2</sub>	19	19	19
Weight	ca. kg	0.18	0.195	0.21
Coefficient of discharge	α <sub>w</sub>	0.09	0.09	0.09

Dimensions in mm.

# Safety Valves

## Type 06011 - gastight



### Discharge capacities

Calculation of flow rate acc. to AD2000-Merkblatt A2 / DIN EN ISO 4126-1

Medium:

**Air** in m<sup>3</sup>/h at 0°C and 1013.25 mbar

**Water** in kg/h

**The capacity indicated below is for a fully opened valve.**

d<sub>0</sub> - orifice

A<sub>0</sub> - flow area

Set pressure in bar (g)	GW	1/4. 3/8 & 1/2	1/4. 3/8 & 1/2
	d <sub>0</sub> (mm)	6.0	6.0
	A <sub>0</sub> (mm <sup>2</sup> )	28.3	28.3
	Medium	<b>Air</b>	<b>Water</b>
5.0		11.3	303
6.0		13.3	332
7.0		15.2	359
8.0		17.1	384
9.0		19.1	407
10.0		21.0	429
12.0		24.9	470
14.0		28.7	508
16.0		32.6	543
18.0		36.4	576
20.0		40.7	607
22.0		44.5	637
24.0		48.4	665
26.0		52.3	692
28.0		56.2	719
30.0		60.6	744
32.0		64.6	768
34.0		68.5	792
36.0		72.4	815
38.0		76.3	837
40.0		80.9	859
42.0		84.9	880
44.0		88.9	901
46.0		92.8	921
48.0		96.8	941
50.0		101.6	960
52.0		105.6	979
54.0		109.6	998
55.0		111.6	1007